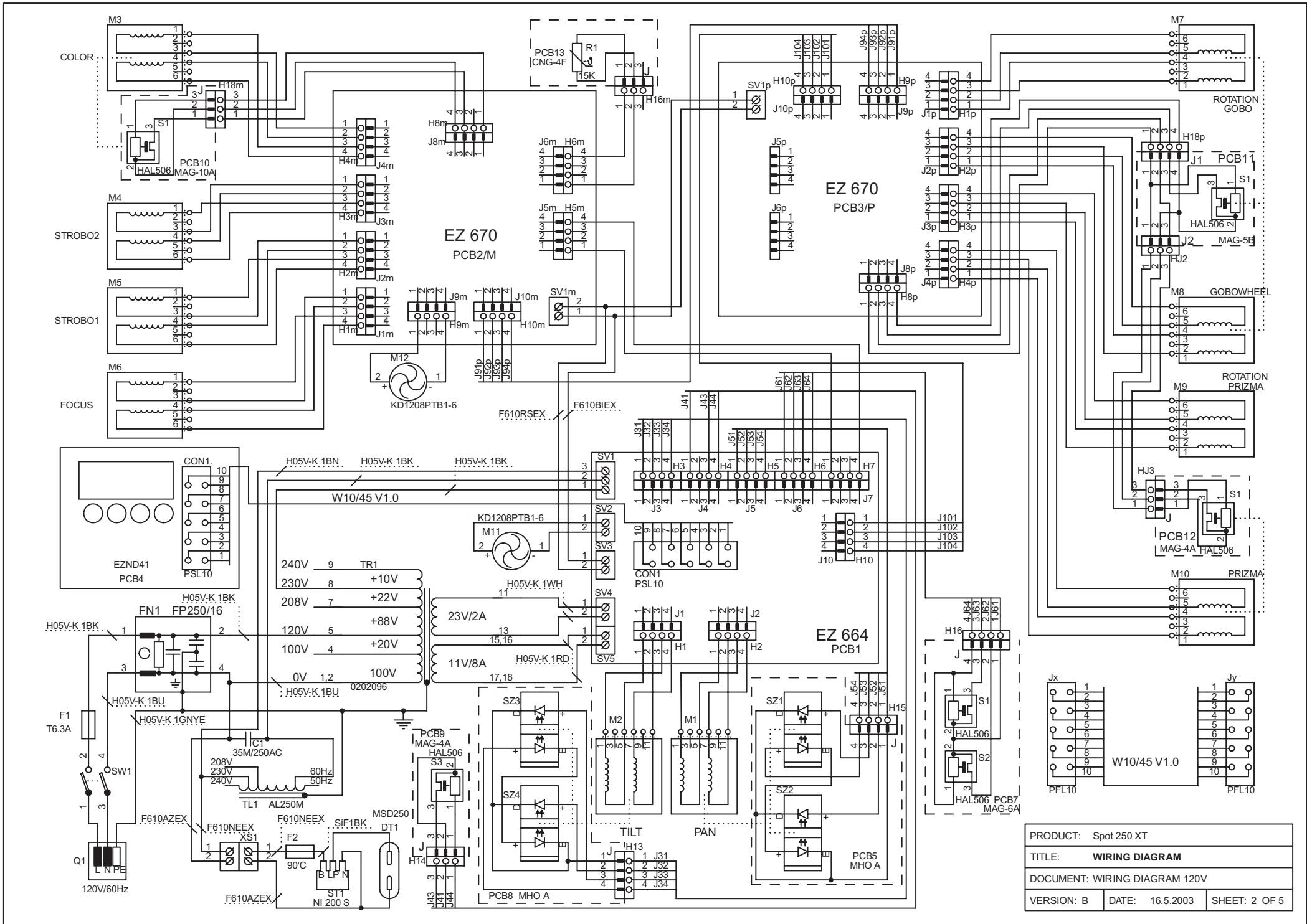
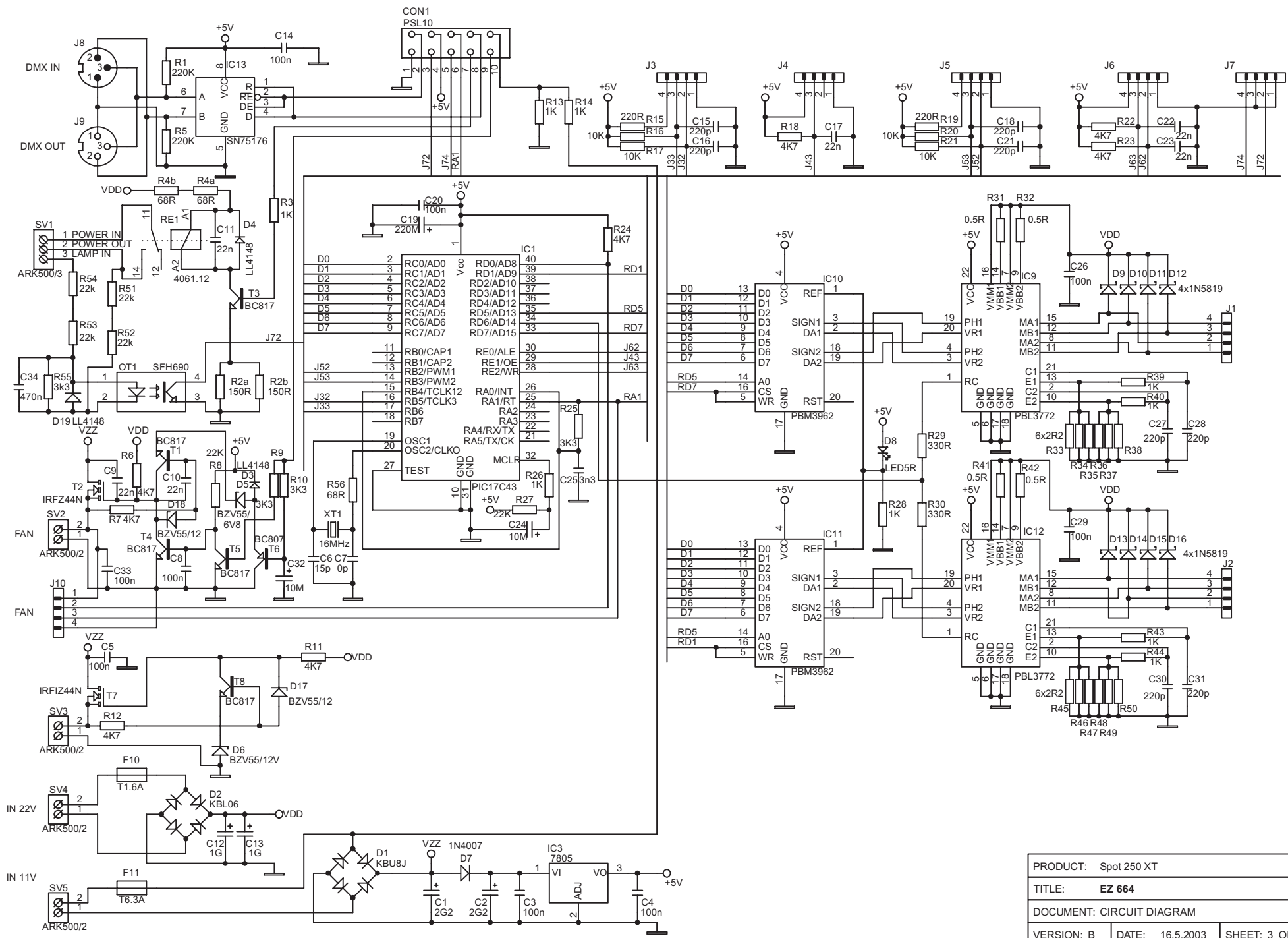


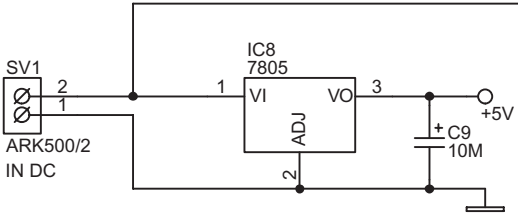
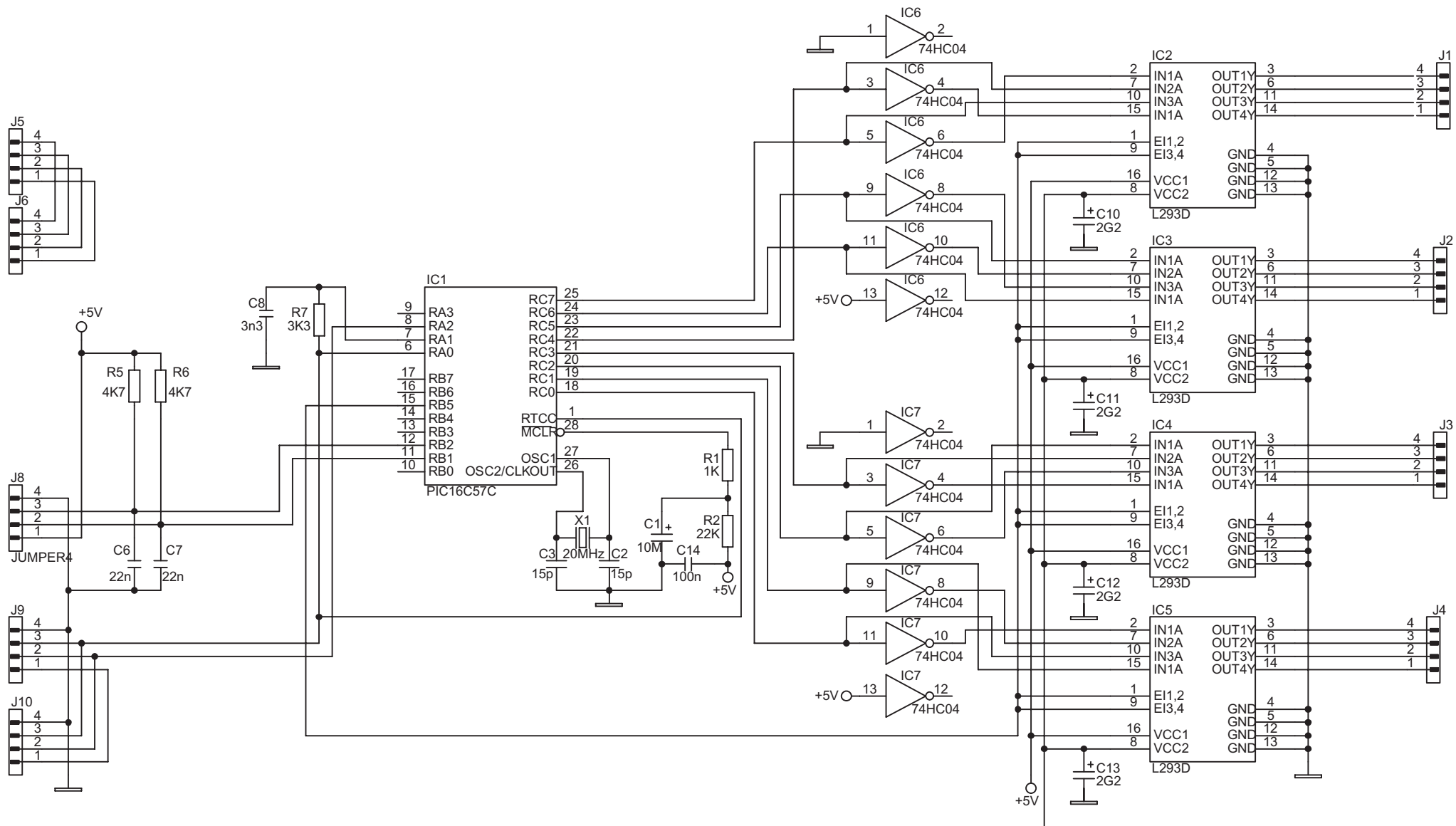
PRODUCT: Spot 250 XT		
TITLE: WIRING DIAGRAM		
DOCUMENT: WIRING DIAGRAM 230V		
VERSION: B	DATE: 16.5.2003	SHEET: 1 OF 5



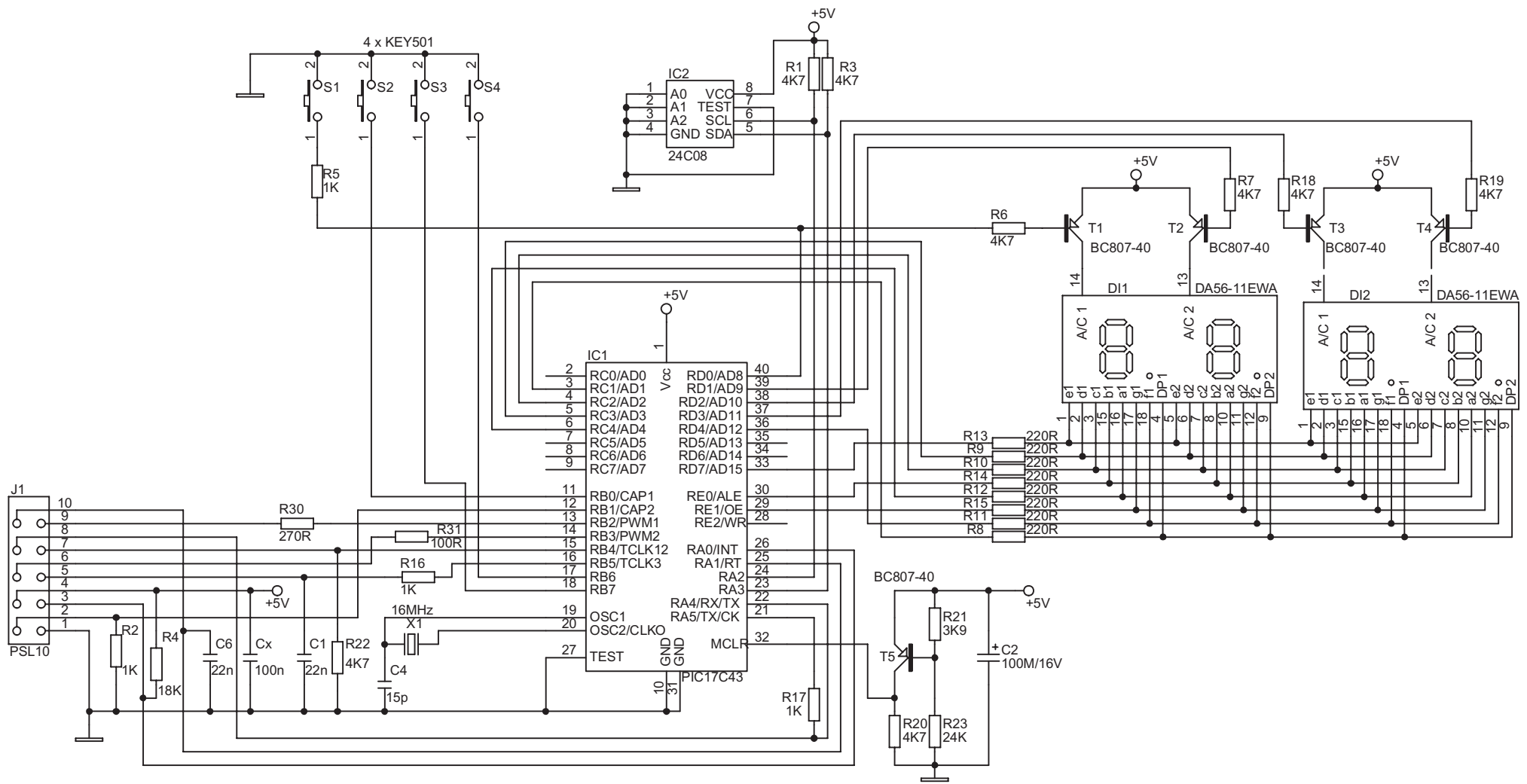
PRODUCT:	Spot 250 XT		
TITLE:	WIRING DIAGRAM		
DOCUMENT:	WIRING DIAGRAM 120V		
VERSION:	B	DATE:	16.5.2003
		SHEET:	2 OF 5



PRODUCT: Spot 250 XT		
TITLE: EZ 664		
DOCUMENT: CIRCUIT DIAGRAM		
VERSION: B	DATE: 16.5.2003	SHEET: 3 OF 5



PRODUCT: Spot 250 XT		
TITLE: EZ 670		
DOCUMENT: CIRCUIT DIAGRAM		
VERSION: B	DATE: 16.5.2003	SHEET: 4 OF 5



PRODUCT: Spot 250 XT		
TITLE: EZND 41		
DOCUMENT: WIRING DIAGRAM 120V		
VERSION: B	DATE: 16.5.2003	SHEET: 5 OF 5